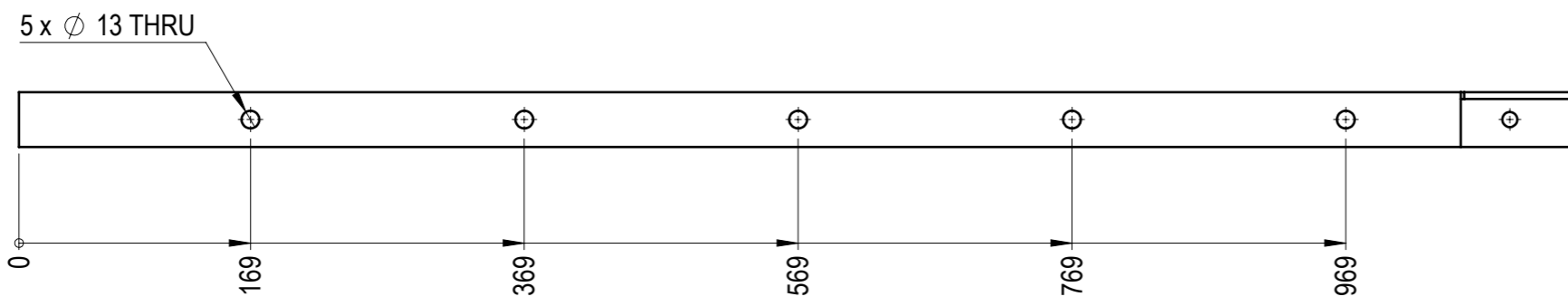
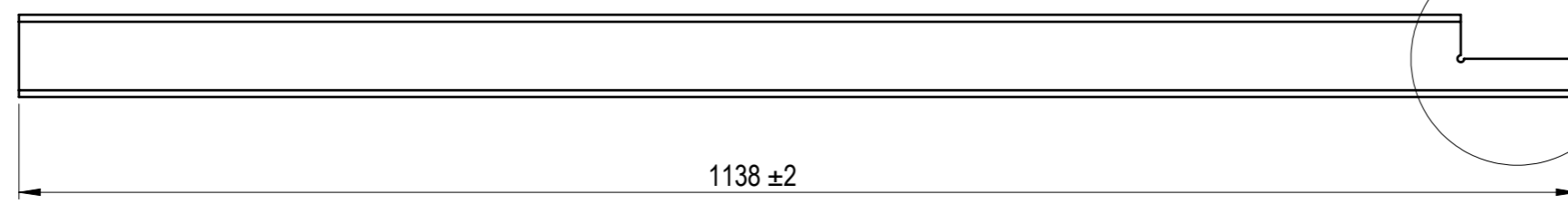
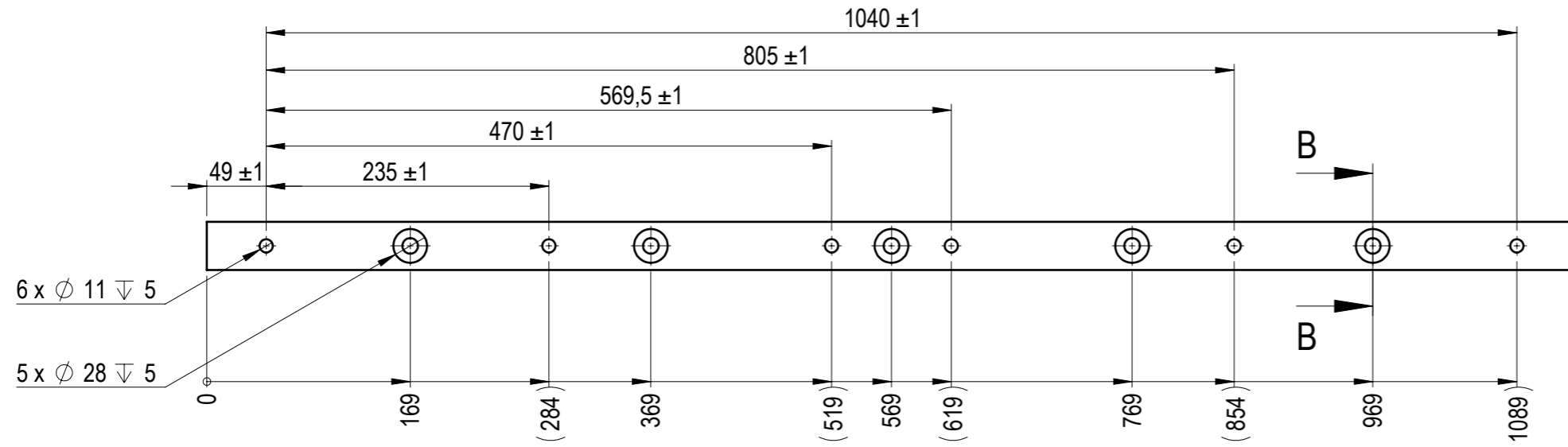
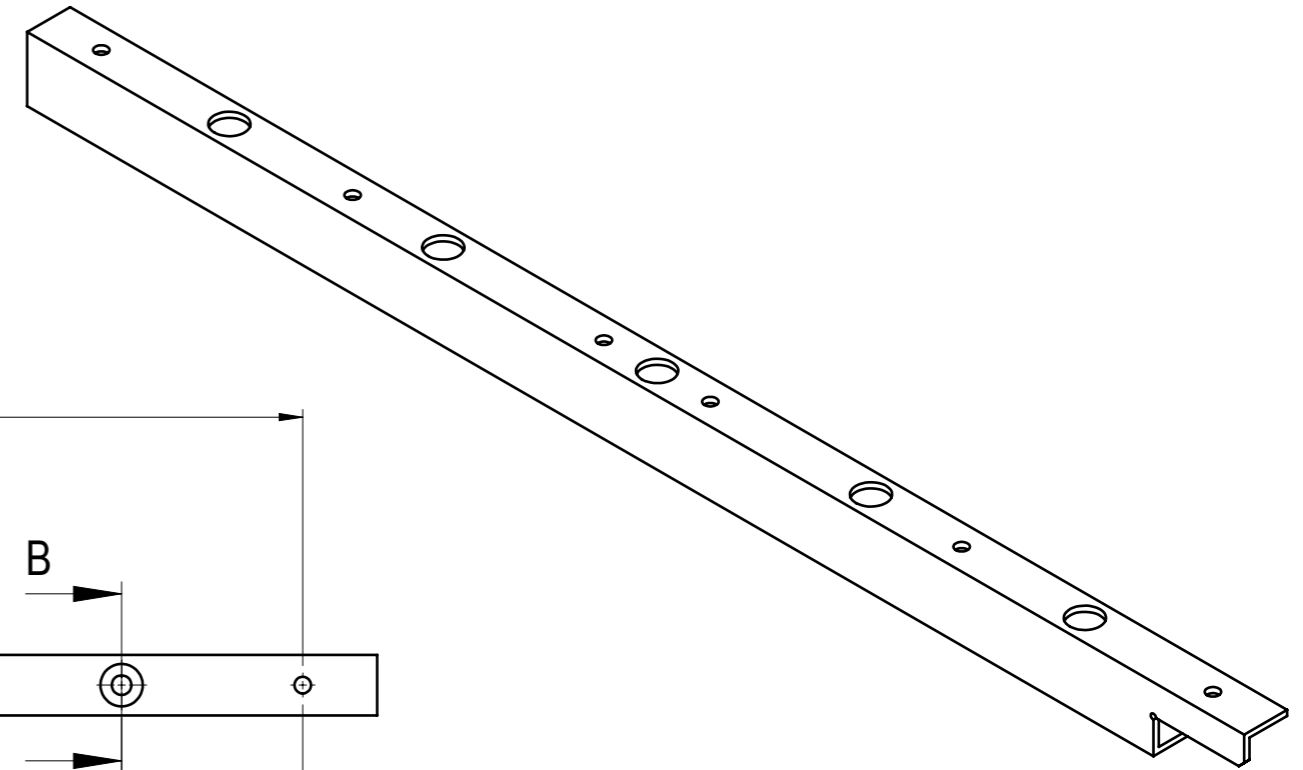
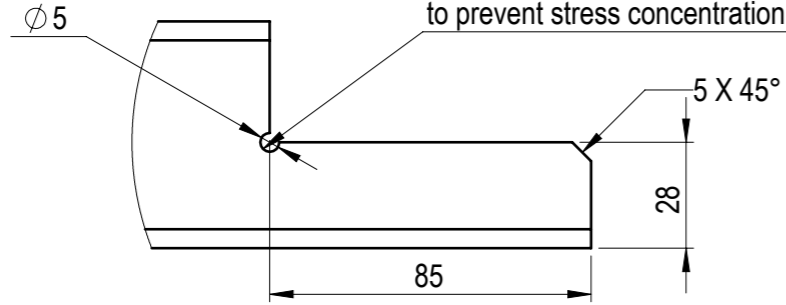
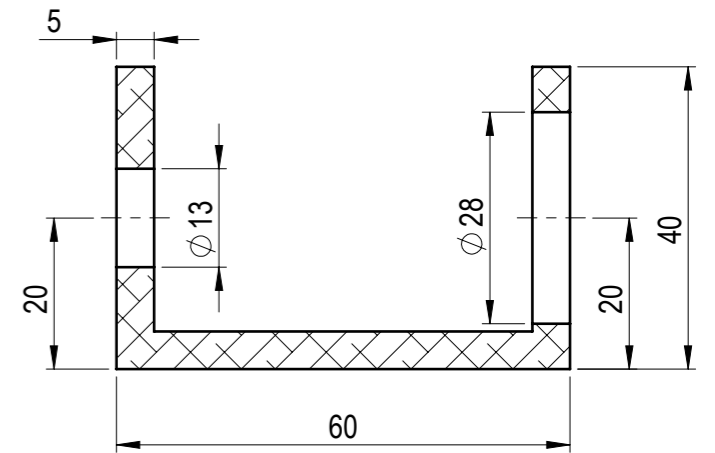


A
SCALE: 1 : 2

Before cutting the profile, drill Ø5mm hole at the corner to prevent stress concentration.



B-B
SCALE: 1 : 1



RAW MATERIAL INFORMATION	
Profile size	U 40x60x40x5
Length, mm	1138

WEMPS ENGINEERING SERVICES	MATERIAL	6060F22 T6	WEIGHT	1.862 Kg	DEBURR AND BREAK SHARP EDGES	REVISION	DATE	
	SURFACE PROTECTION	Anodizing ISO 7599:2010	MACHINING	ISO 2768 mK	THERMAL CUTTING	WELDING	SCALE FORMAT	
	NAME	SIGNATURE	PART NO.				105-21203-02	
Designed by	D. Dislers		DESCRIPTION				Aluminum U-profile 5	
Drawn by	D. Dislers						SHEET 1/1	
Technical ref.								